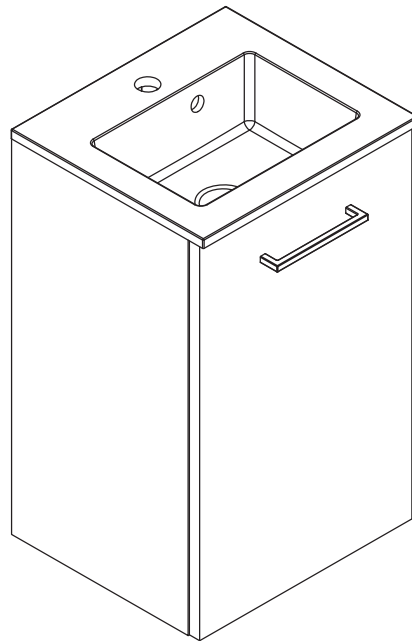
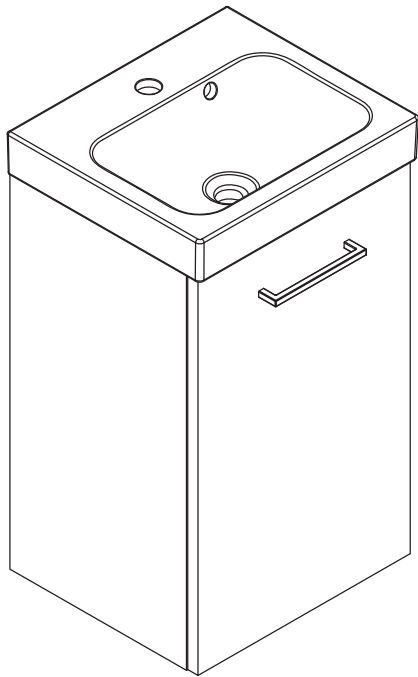
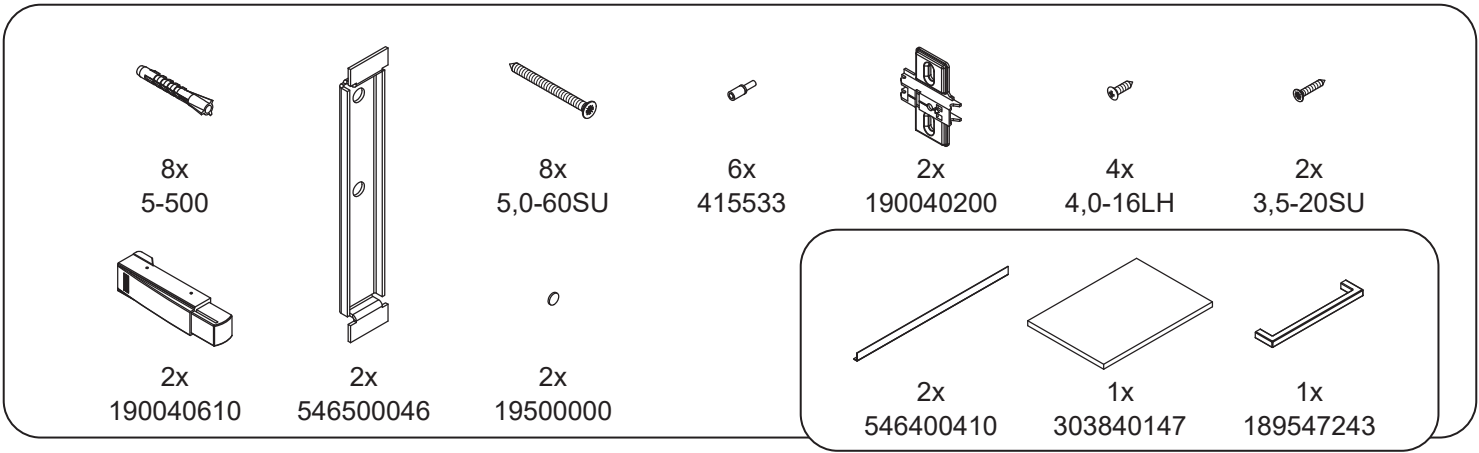


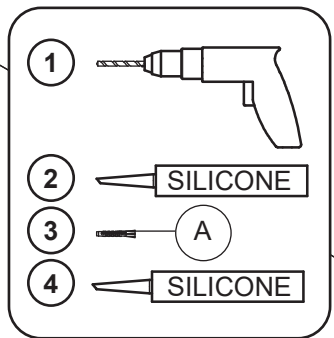
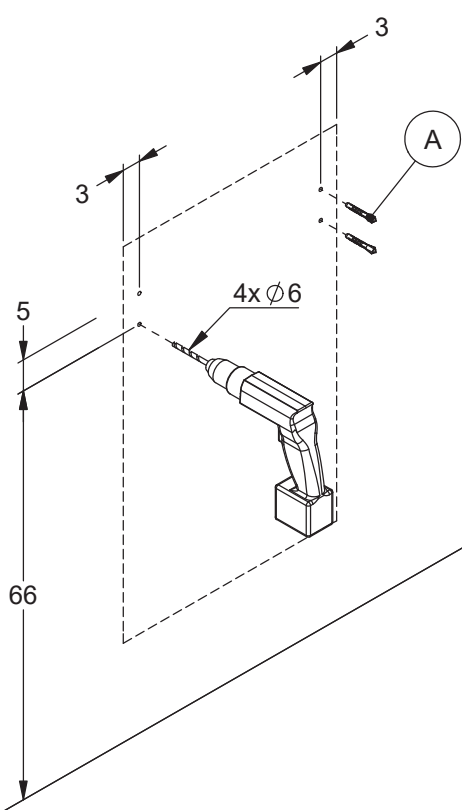
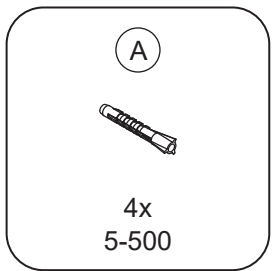


DANSANI
DANISH BATHROOM DESIGN

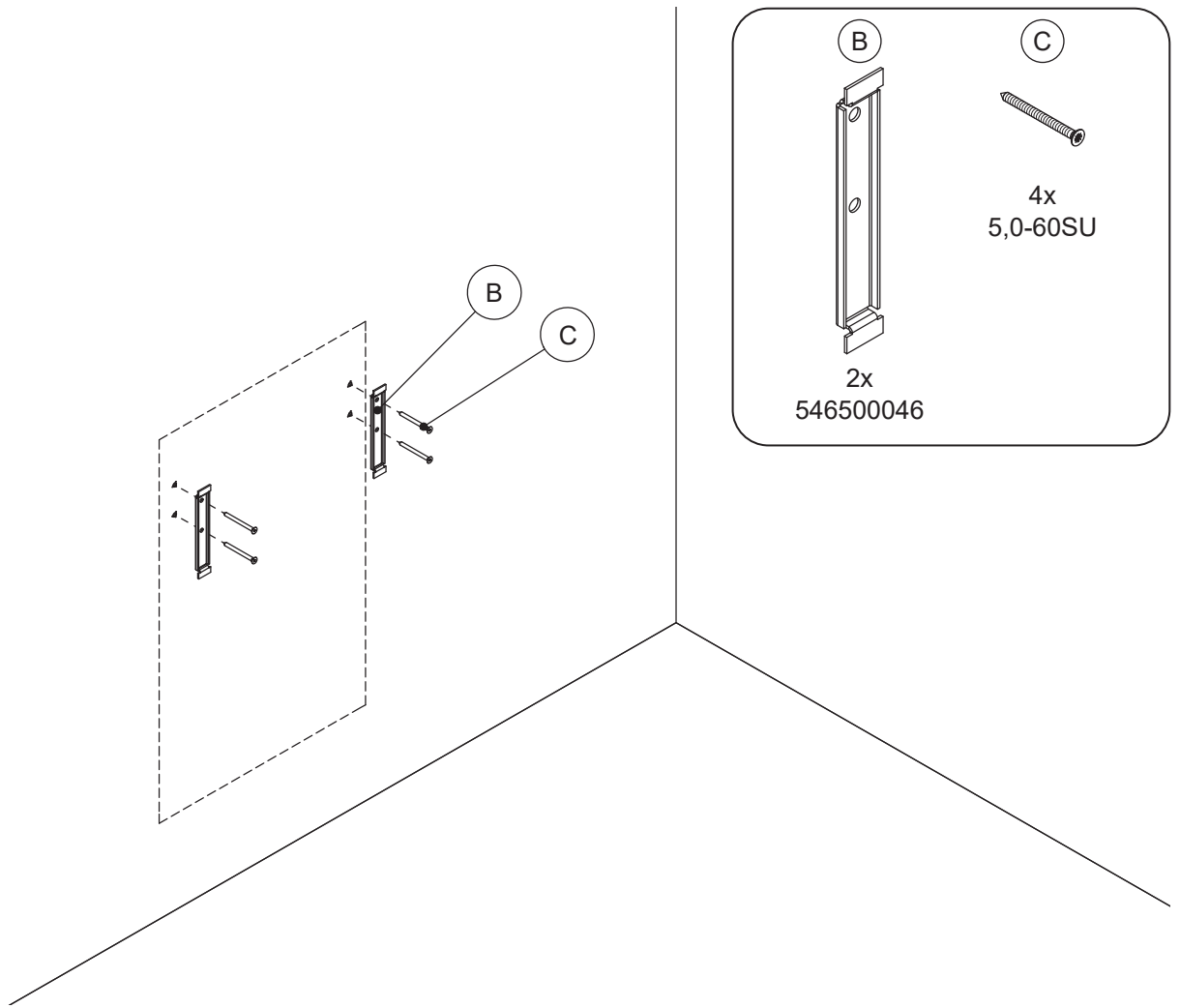




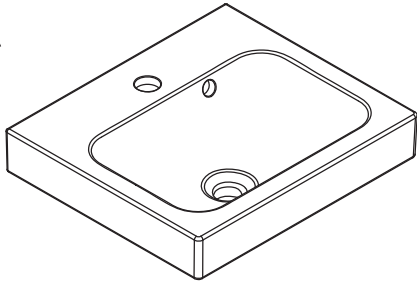
1



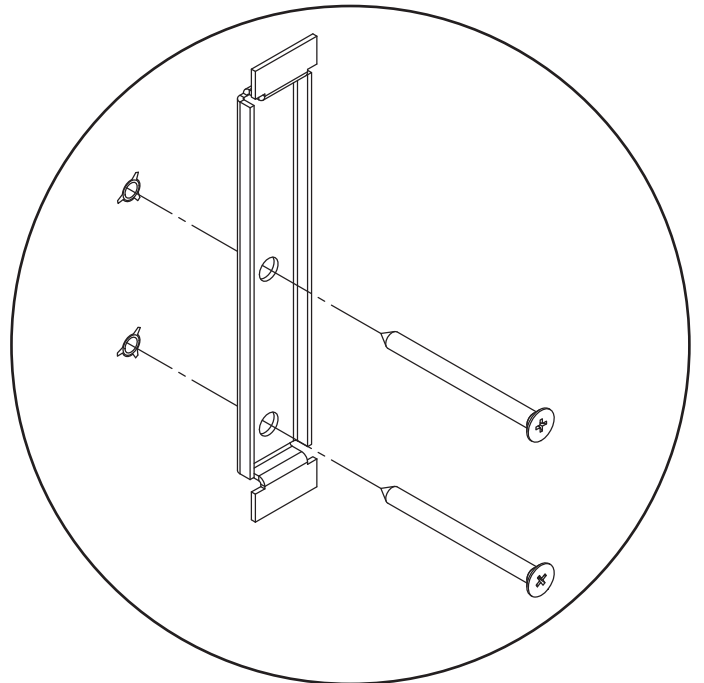
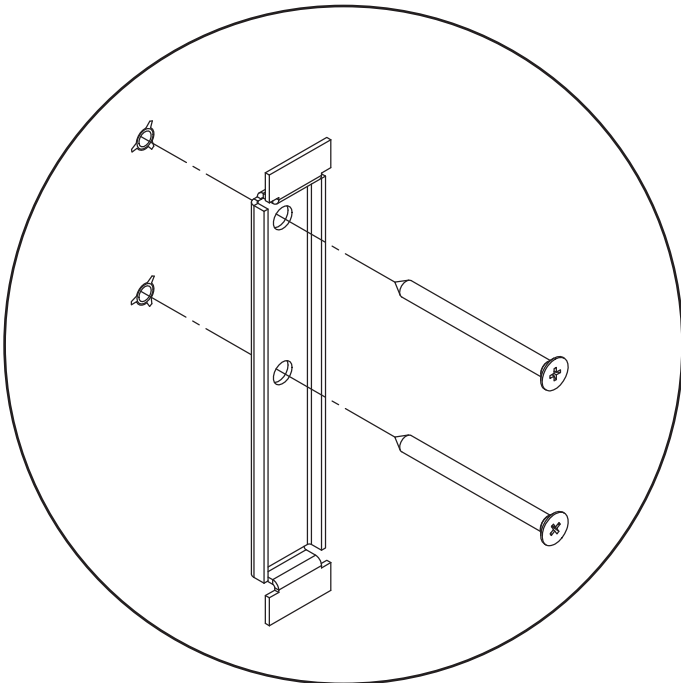
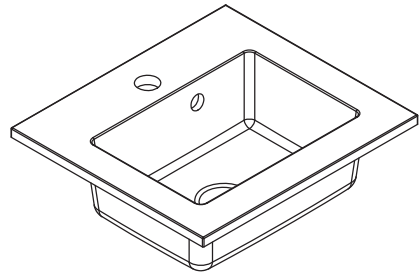
2



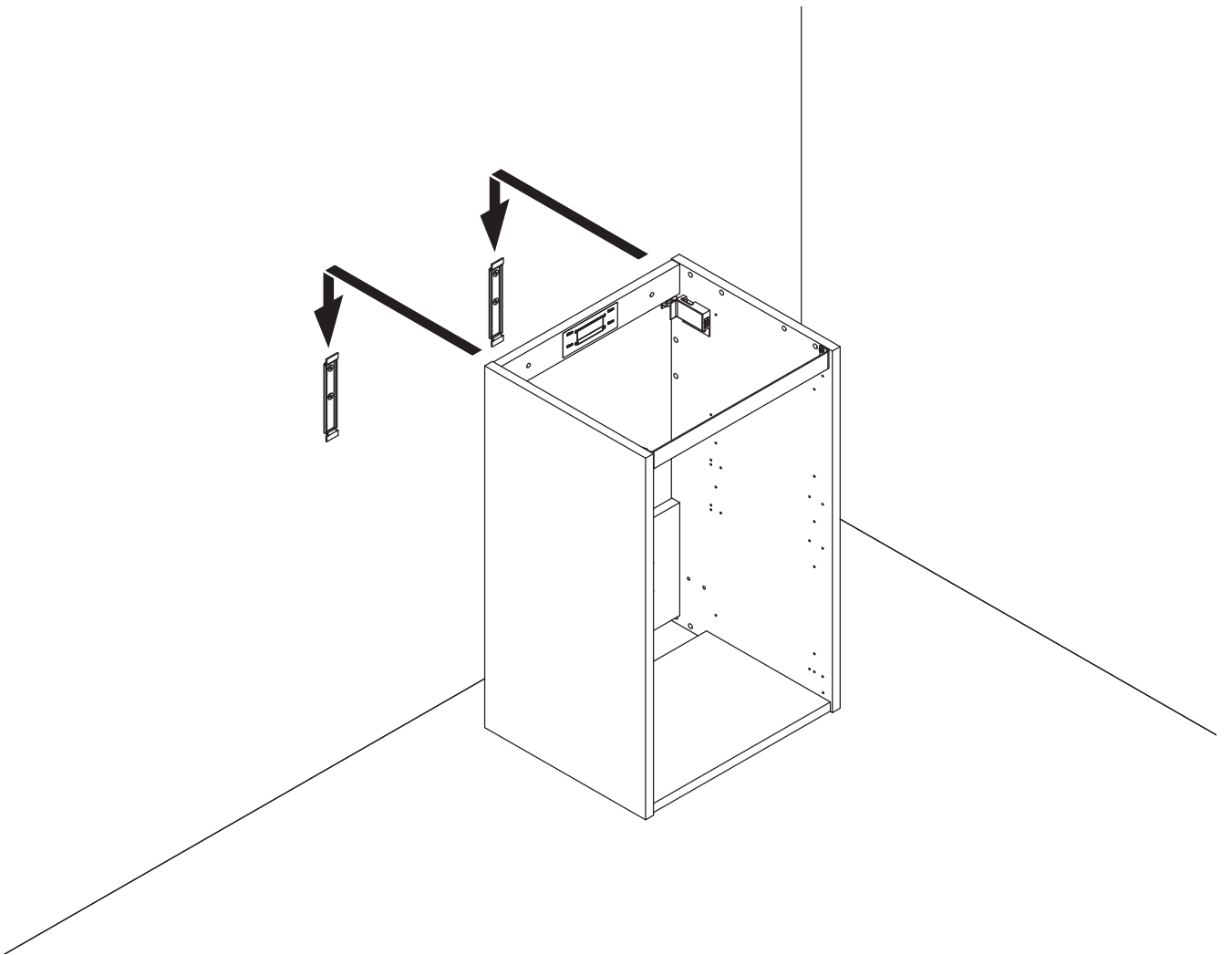
A



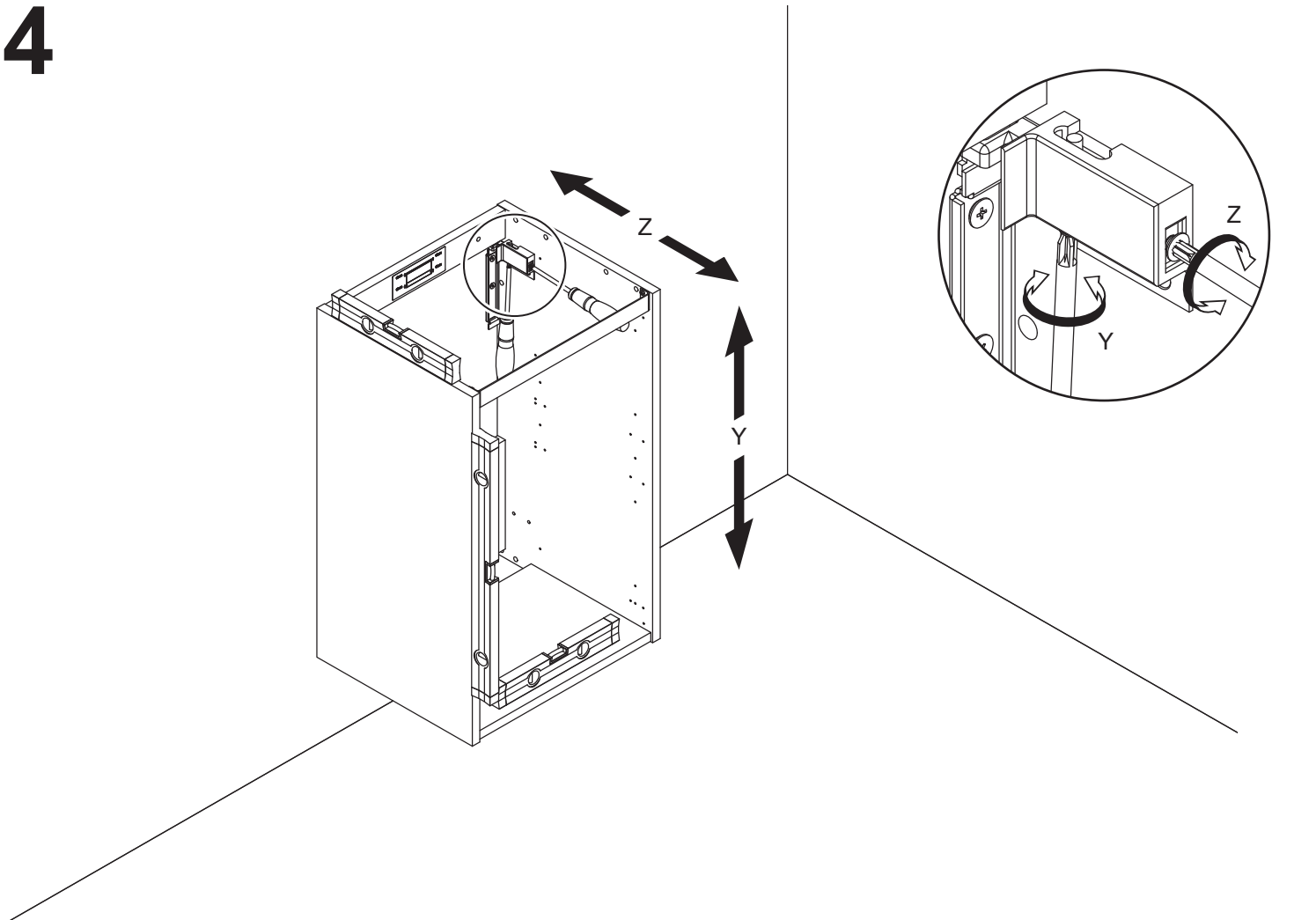
B



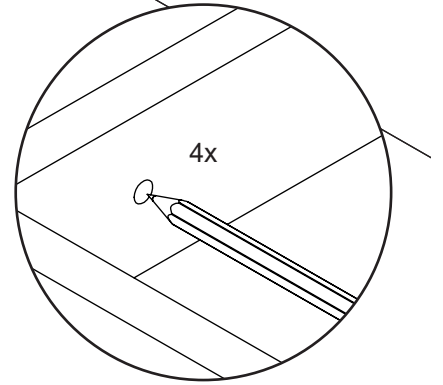
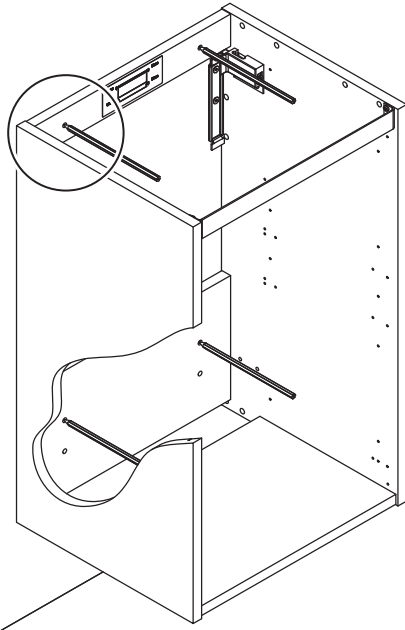
3



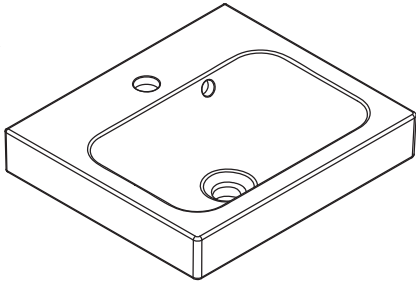
4



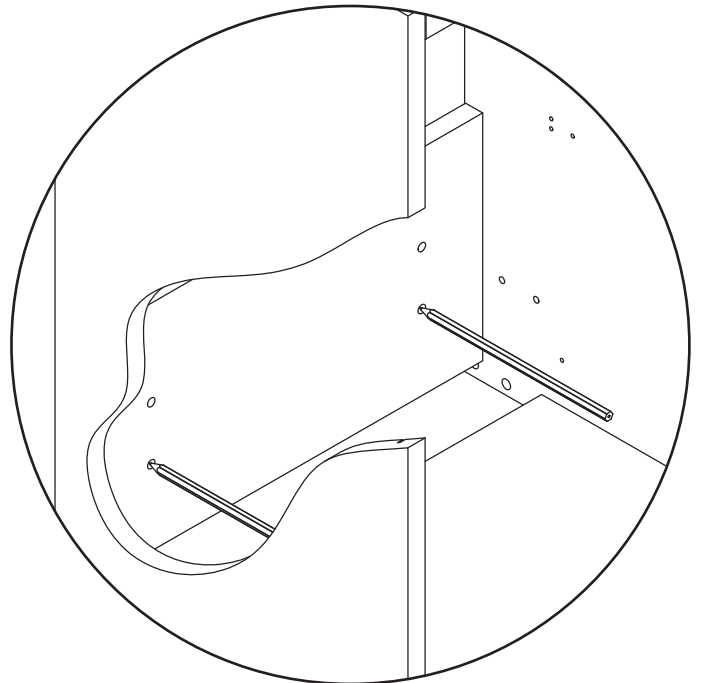
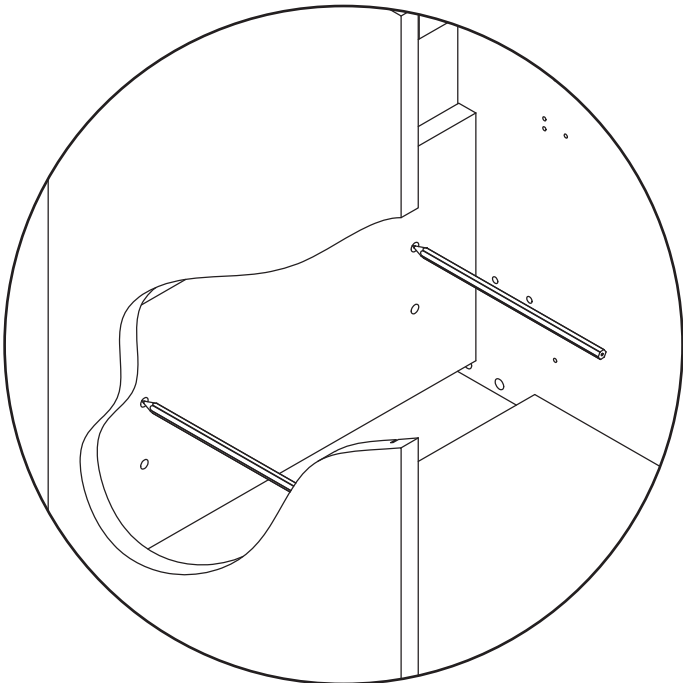
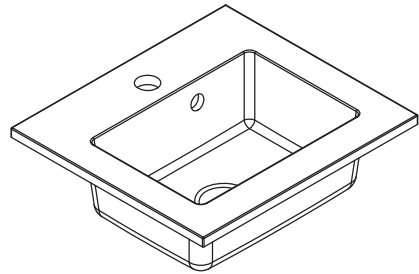
5



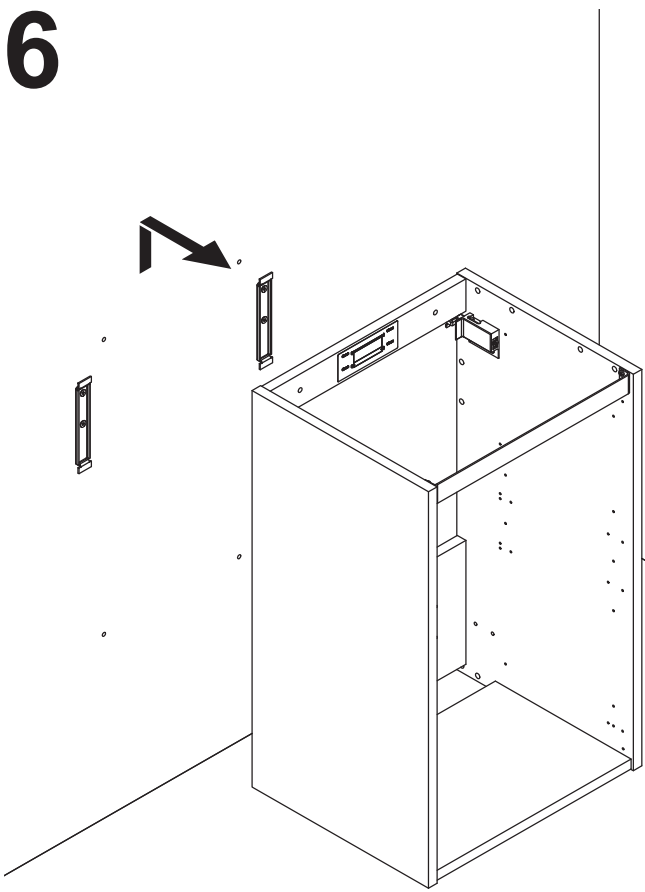
A



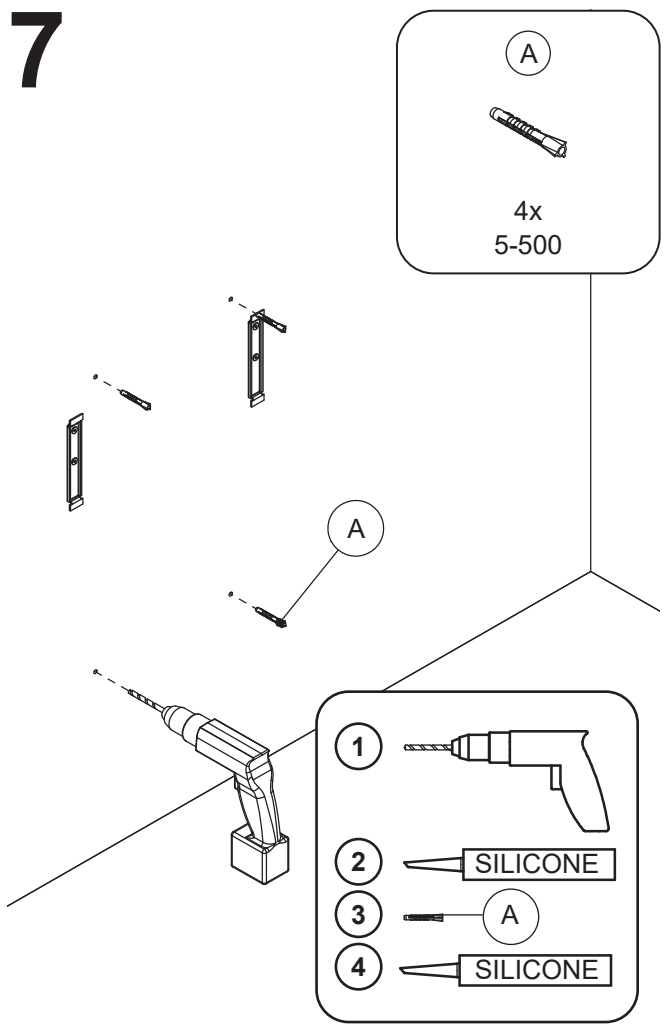
B



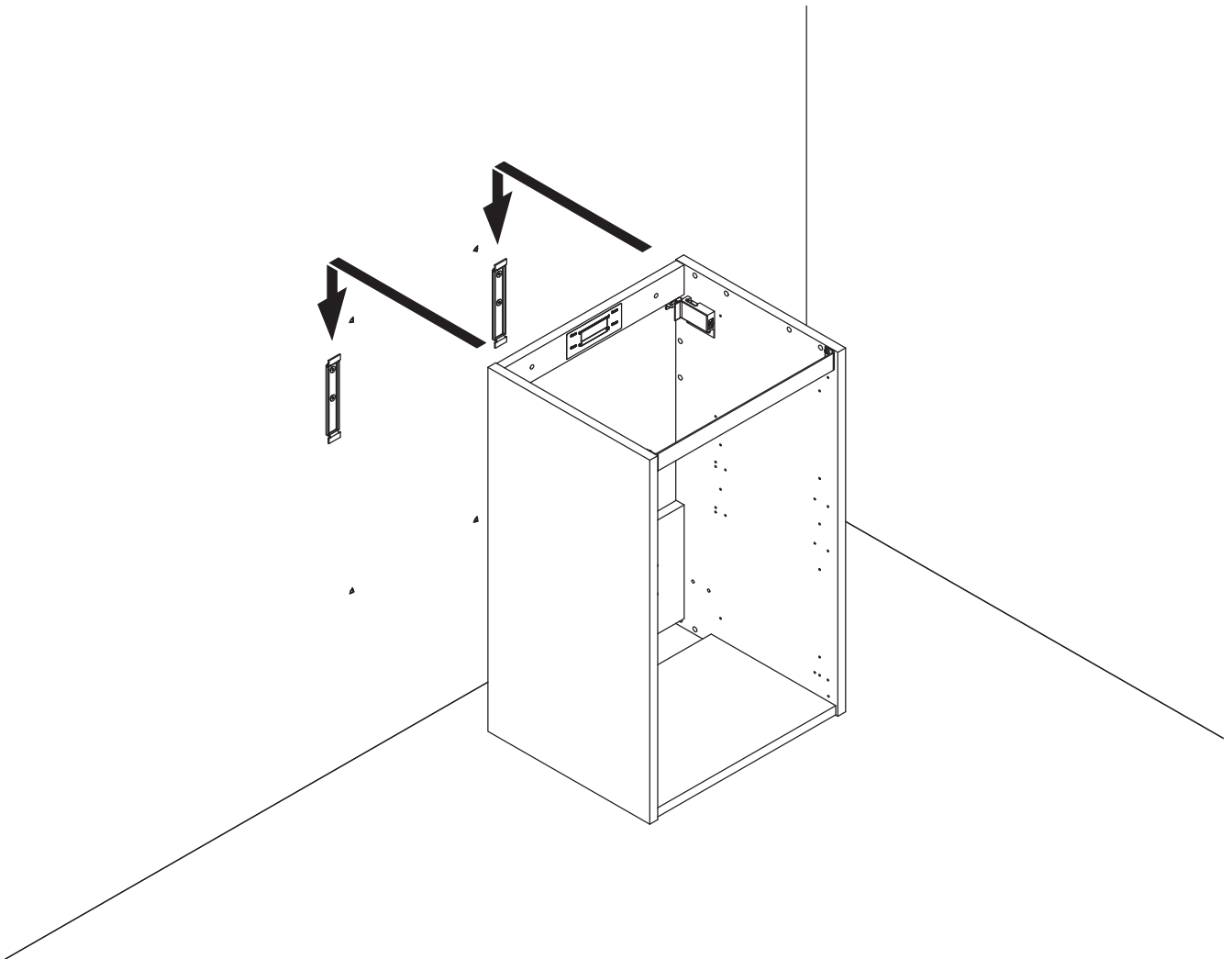
6



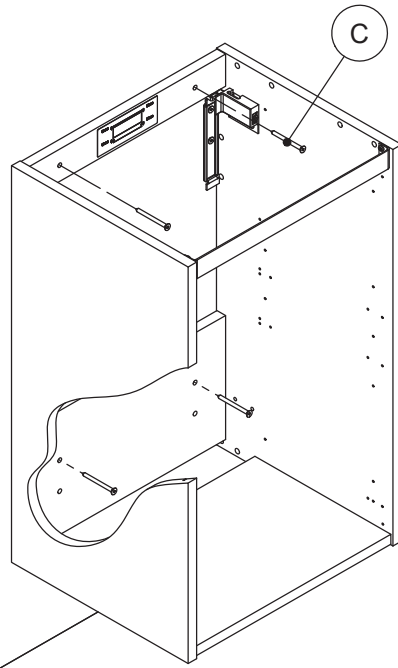
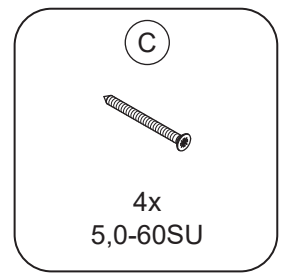
7



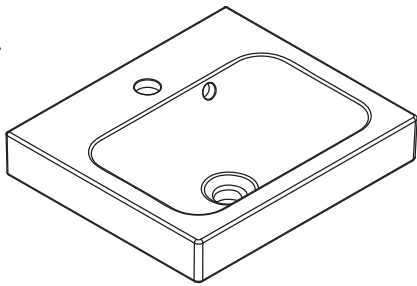
8



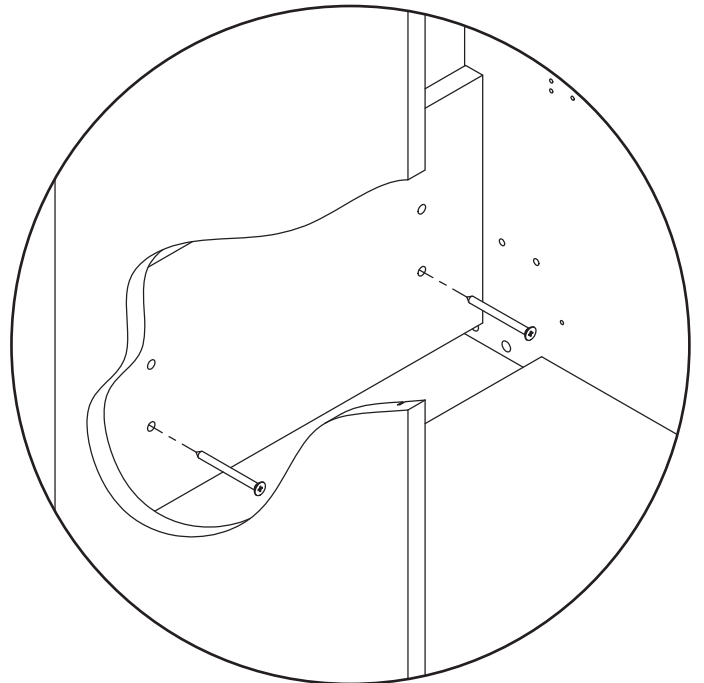
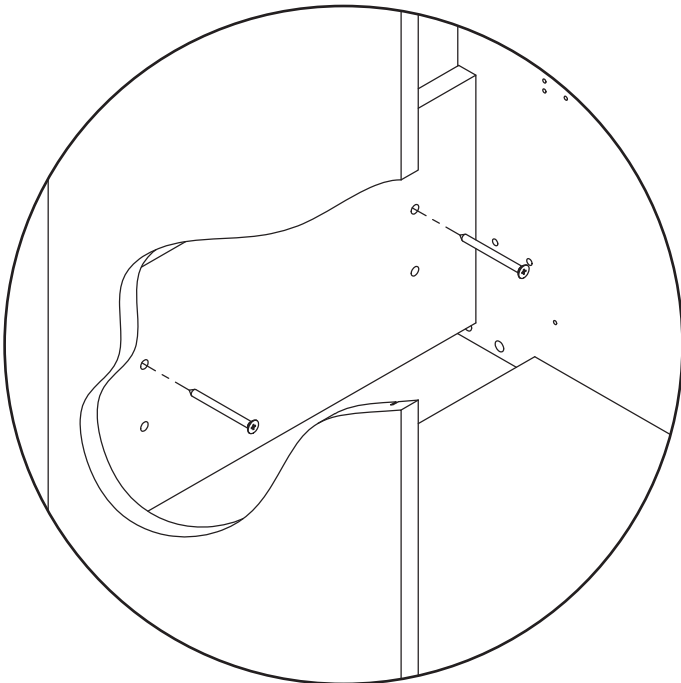
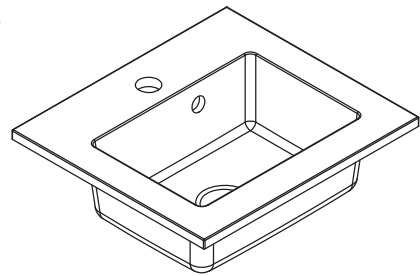
9



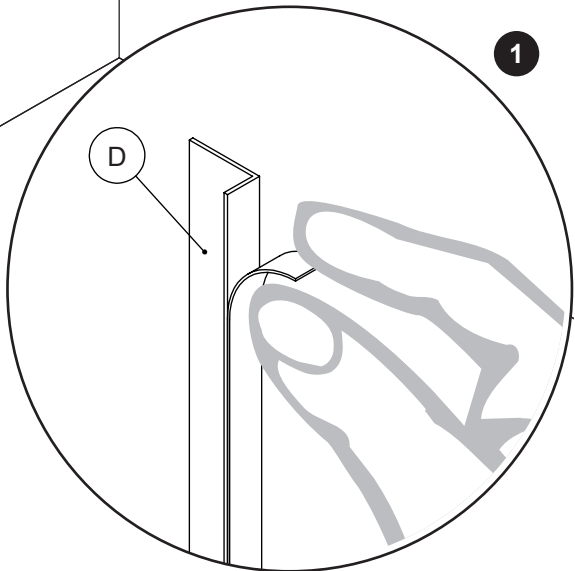
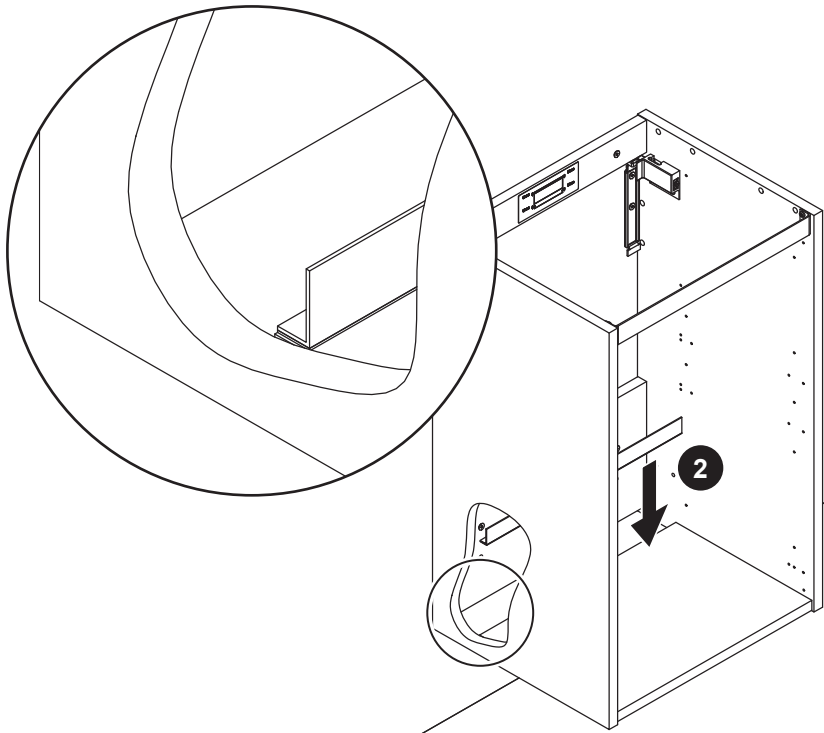
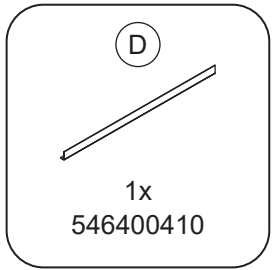
A



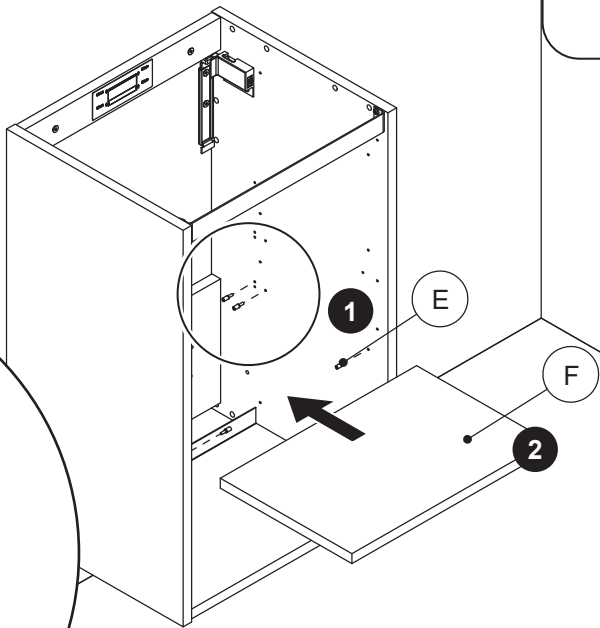
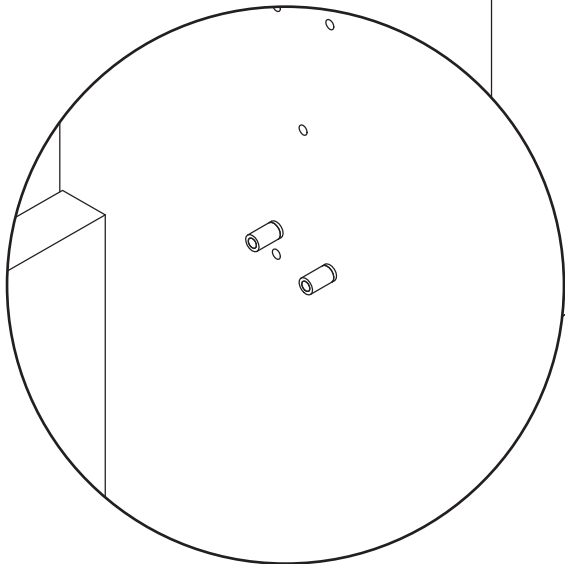
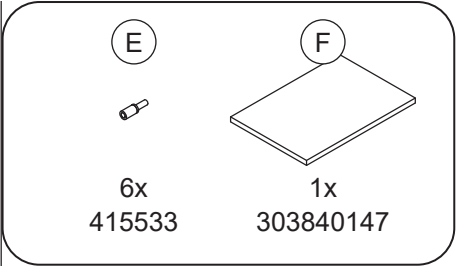
B



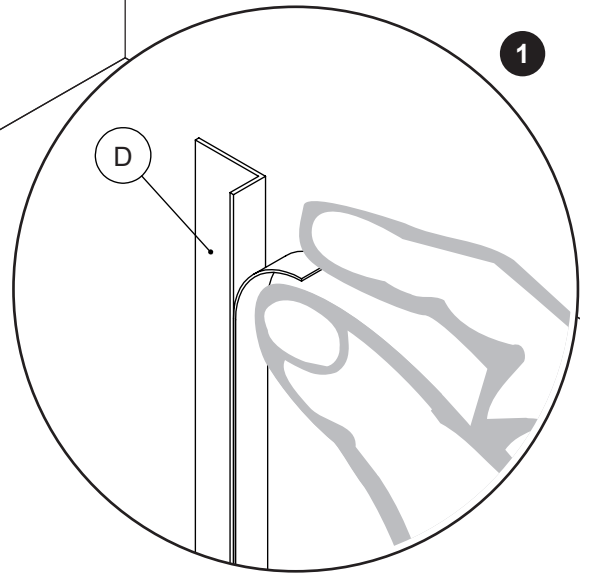
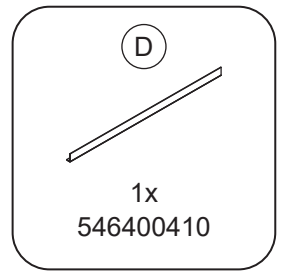
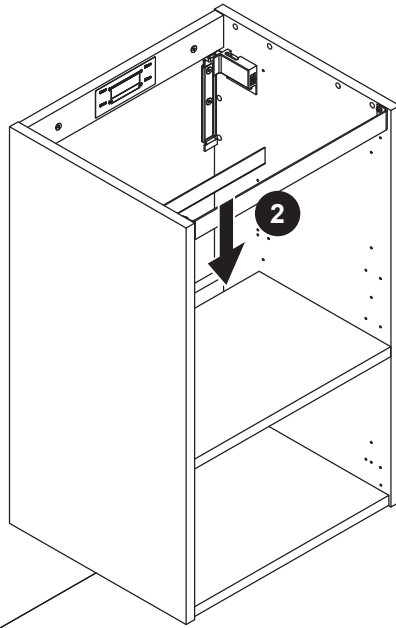
10



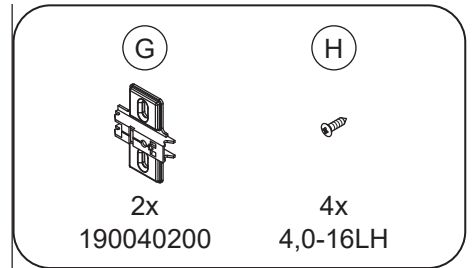
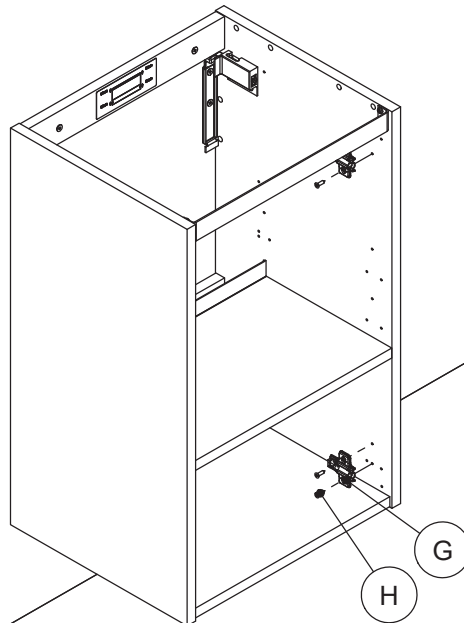
11

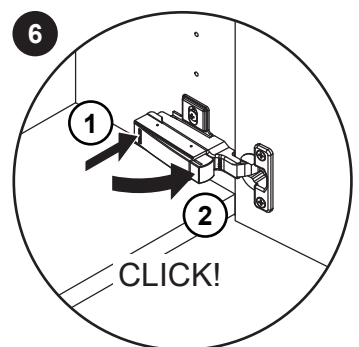
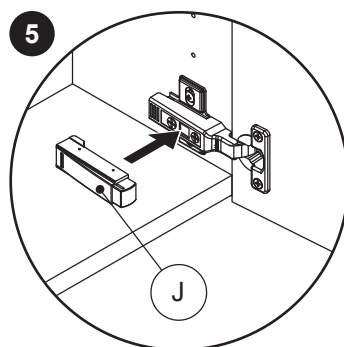
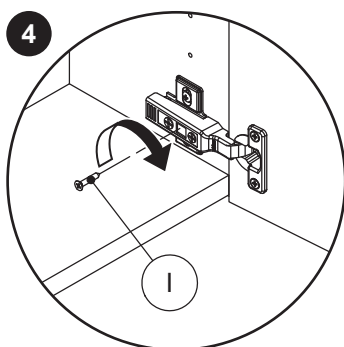
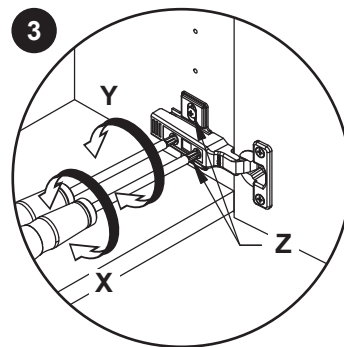
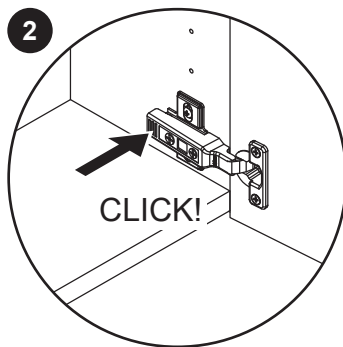
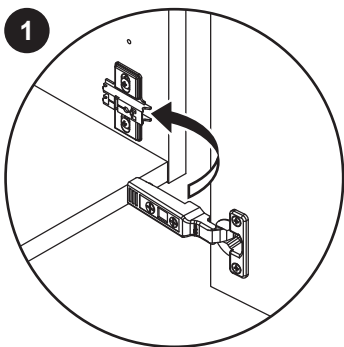
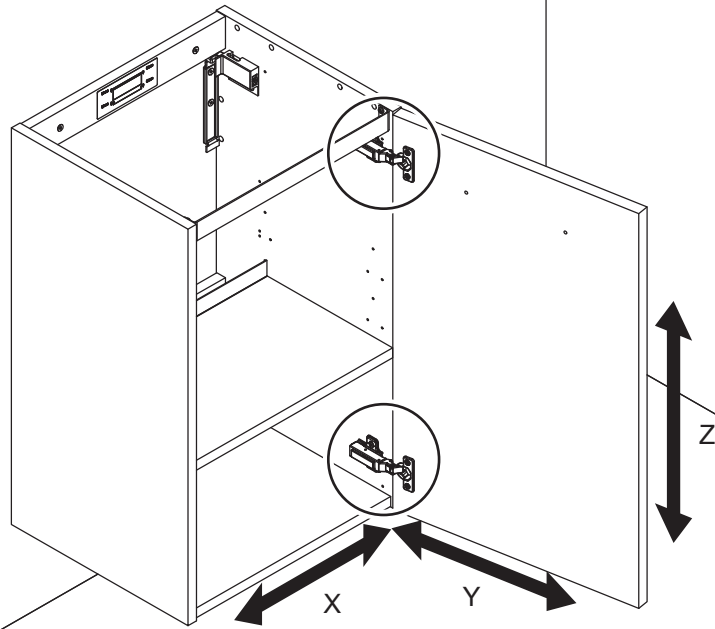
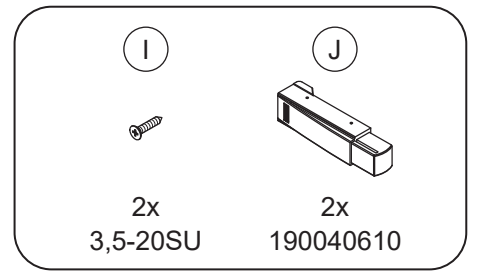


12

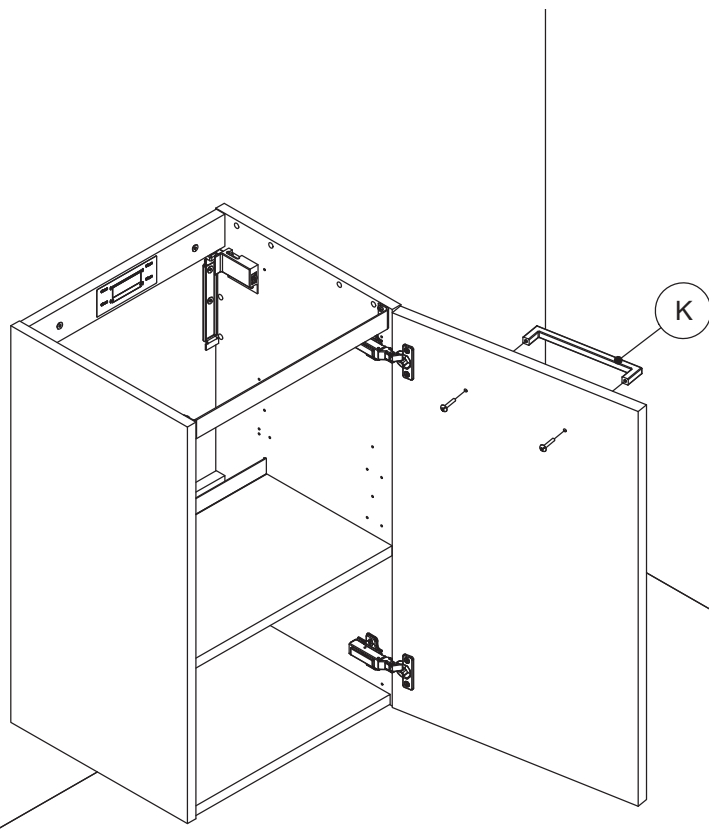


13

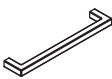




15

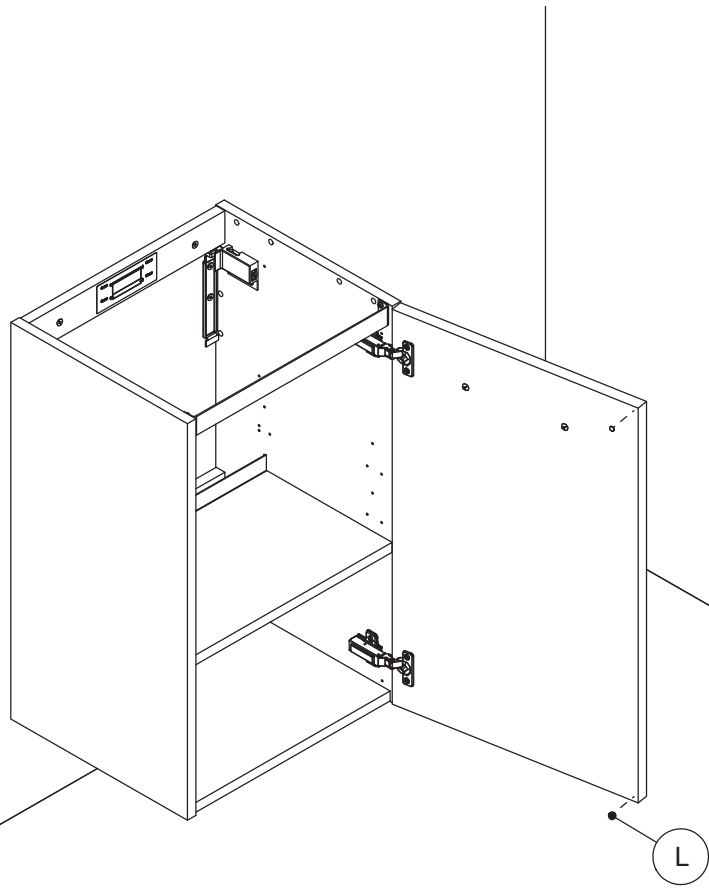


(K)



1x
189547243

16

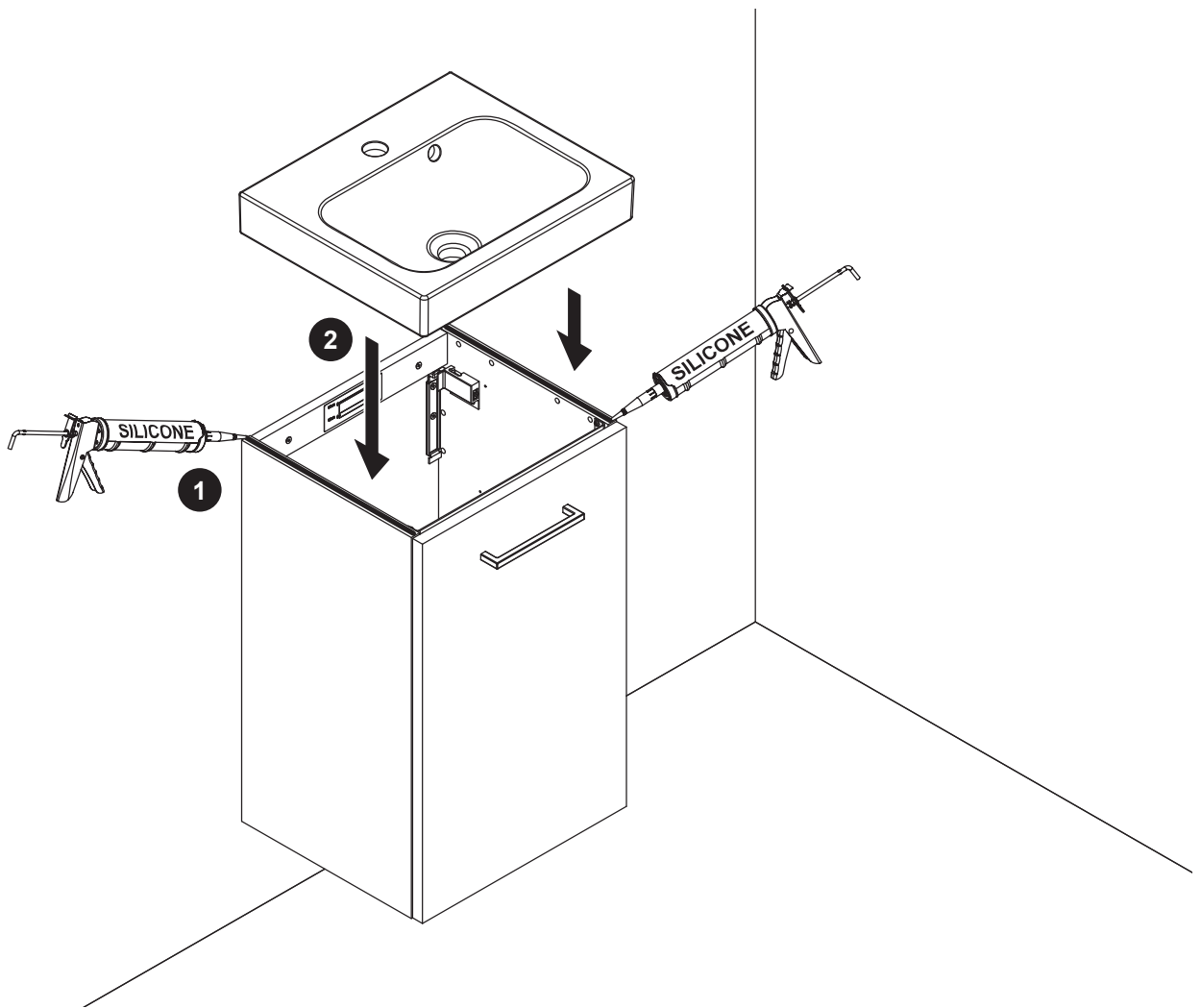


(L)

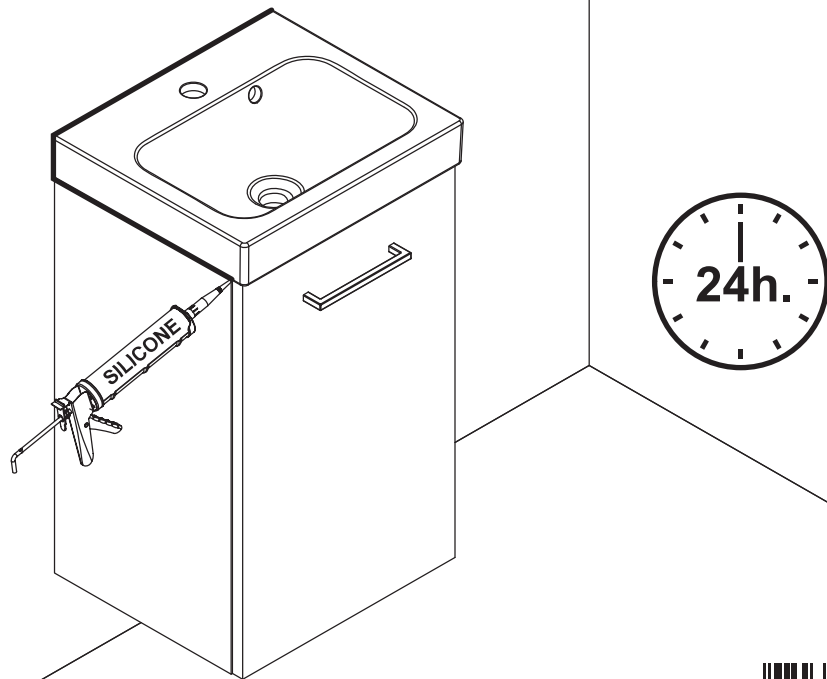
o

2x
19500000

17



18



5 713804 252630